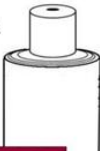


Made in the USA



N-FORCER

GAS Springs Since 1986

Accessories



MCB-6



MCB-3

MCB-6 (six station Control Block)

N-Forcer offers different sizes of control blocks, from 3 to 6 individual port stations which operate independent from each other. All stations can be set for different pressures or they can all have the same pressure but isolate different sections of the die for maintenance purposes. All stations have a pressure gage and an opening and closing valve.

MCB-3, MCB-4, MCB-5, MCB-6
For Specifications—see page 4

Control Panels

CB-4 G1/8 BSPP Ports in 4 Places
CB-3 7/16-20SAE Ports in 3 Places
Specifications—see page 5



6 & 12 Port Distribution Blocks



DCB-6 & DCB-12
1/2" 20 SAE Ports
DCB-6-4 & DCB-12-4
7/16" 2- SAE Ports— See page 6

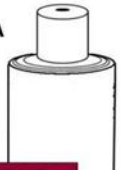
For G 1/8 BSPP Ports—See page 7



Flex ratcheting wrench: FRW-1 **Wrench removal Sleeve: RSTM-1**

Used to position the cartridge correctly and to assemble and disassemble threaded mini cylinders

Made in the USA



N-FORCER
GAS Springs Since 1986

T-HANDLE

For removing the piston rod when disassembling and to reassembling correctly. M8 Thread. (P/N: M8-T-Handle)



FILLING ADAPTERS

HC-1QD—Female Quick Disconnect Coupling— Fits all FA filling adapters.

CN & CSN Series

FA-4QD—Quick Disconnect Filling Adapter—7/16-20 threads. Threaded into valve compartment of cylinder port. Attach high pressure hose coupling to male end.

(MINI) MF Series

FA-1MFQD for M6 Ports

(JUNIOR) UC025, CL025, UC075, & UCL75 Models

FA-2QD for (.206-36 Ports)

IS & CISN SERIES

FA-G1/8QD for G 1/8 Ports



SPRING RETAINERS

See drawings

Specifications: page 8



PRESSURE TESTERS



FORCE TESTER

Quick, Accurate, Easy way to check the condition of your small series nitrogen die springs.

Diameter 3/4" (19 mm) to 1-1/2" (38.1mm)
Length 0-15" (380MM) 0-600 psi.

Specifications: page 11

CA-2000 QD—Charging Assembly.

*Must Specify 4000 or 6000 PSI Tank.
Comes with a quick disconnect coupling.

NH-025 — Medium pressure hose for use with reusable swivels.

520N-4—High pressure hose for permanent swivels

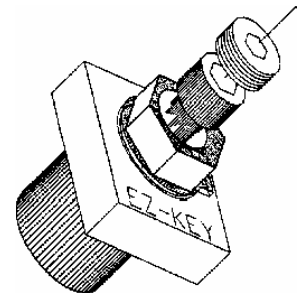
Spaghetti or **Flexible** hose is also available. We don't recommend these options as drainage is very time consuming



EZ-KEY

Adjustable key for Tools—Dies—Fixtures

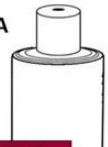
EZ-KEY operates on an eccentric cam with a floating pressure plate. Rotation of the hex nut (attached to the cam) shifts the pressure plate providing the necessary key force. The C/L of the bore in the pressure plate is located so that it is variable in relation to each face. This allows for a wide range of adjustments.



Specifications: page 12 & 13



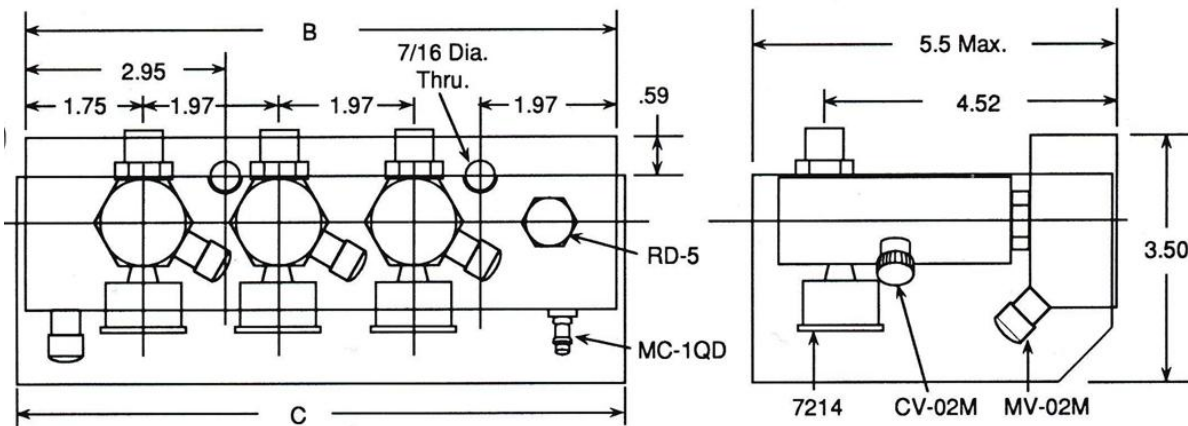
Made in the USA



N-FORCER

GAS Springs Since 1986

Multiple Station Control Block



	B	C
MCB-3 (Three Station)	219.9mm	226.2mm
MCB-4 (Four Station)	269.9mm	276.3mm
MCB-5 (Five Station)	320mm	326.3mm
MCB-6 (Six Station)	370mm	376.3mm

Multiple Station Control Block

This control block offers from 3 to 6 individual port stations which operate independent from each other. Each station has two 7/16-20 SAE ports for hosing nitrogen die springs. All stations can be set for different pressures or they can all be the same pressure but isolate different sections of the die for maintenance purposes. All stations have a pressure gage and an opening and closing valve.

Control Panels

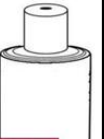
CB-3

with 7/16-20 Ports
&

CB-4

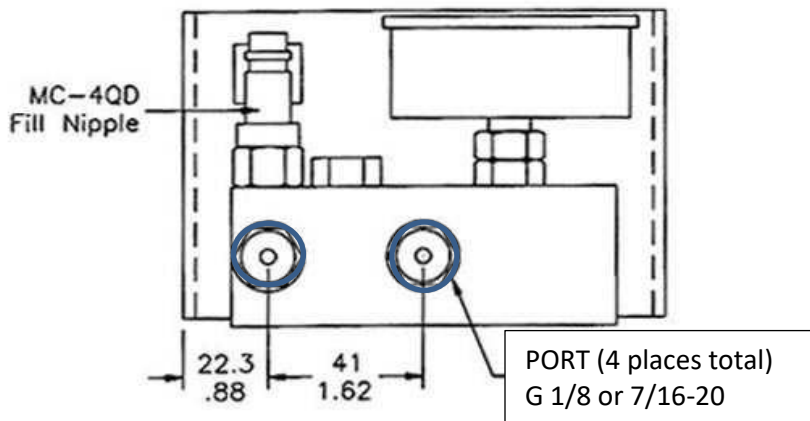
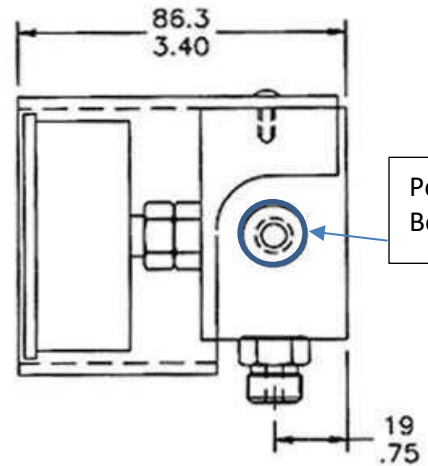
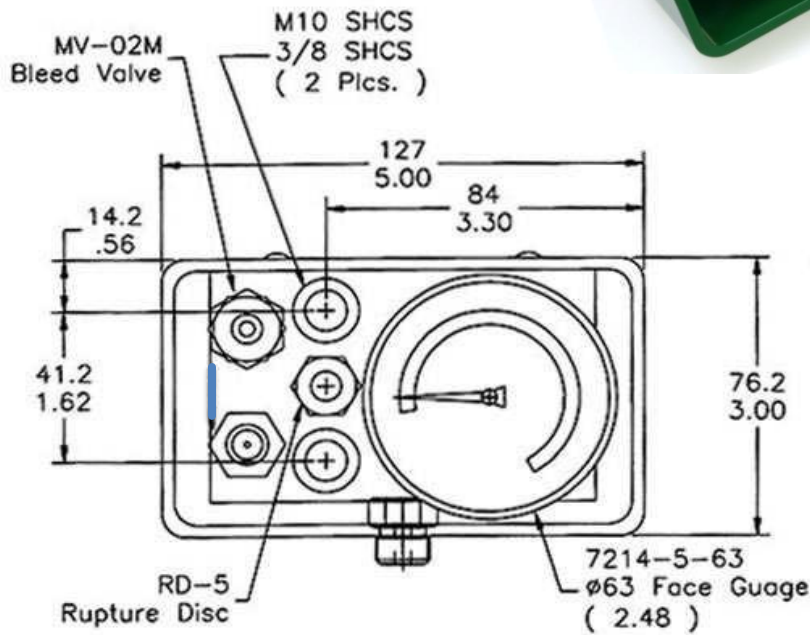
with G 1/8 Ports

Made in the USA



N-FORCER

GAS Springs Since 1986



Made in the USA



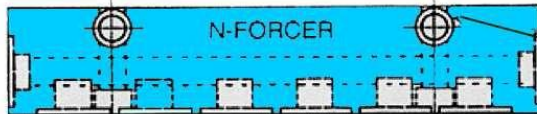
N-FORCER

GAS Springs Since 1986

N-FORCER

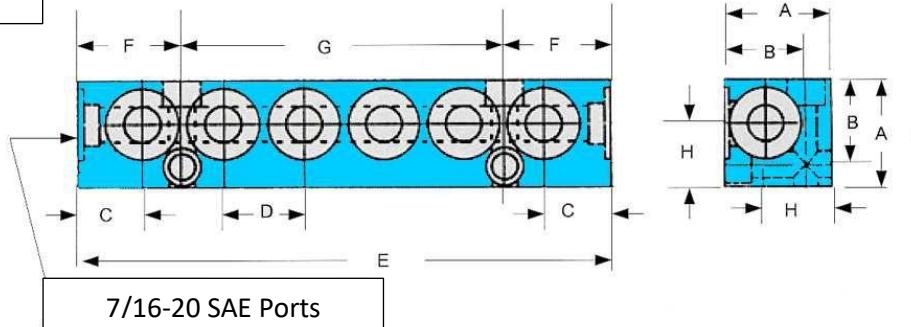
Six & Twelve Port Distribution Blocks DCB-6-4 and DCB-12-4 (7/16" - 20 SAE Ports) DCB-6 and DCB-12 (1/2" 20 SAE Ports) For G 1/8 BSPP Ports - see next page

Distribution blocks allow cylinders to be hoses to a control block with fewer hose connections. Every hose connection is a potential leak. These blocks eliminate all tee fittings by hoses cylinders directly to the distribution block. There are two ports on the ends of the blocks to hose to a control block and / or a pressure monitor. Order straight fittings for each cylinder to be connected to block and plugs for ports not to be used.

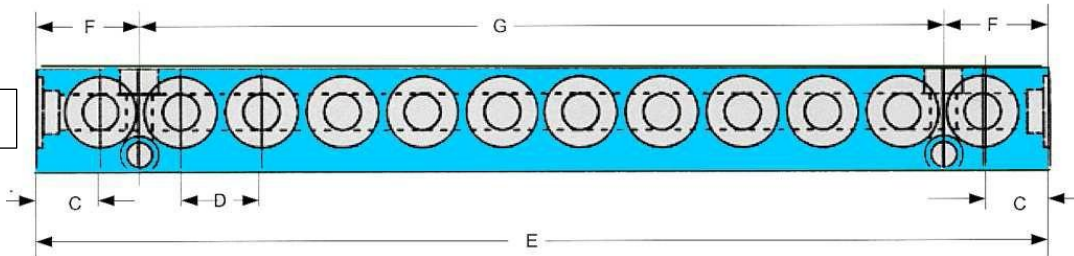


4 Holes drilled and C'bored for 3/8" S.H.C.S Or M10 X 1.5 S.H.C.S.

DCB-6-4



DCB-12-4



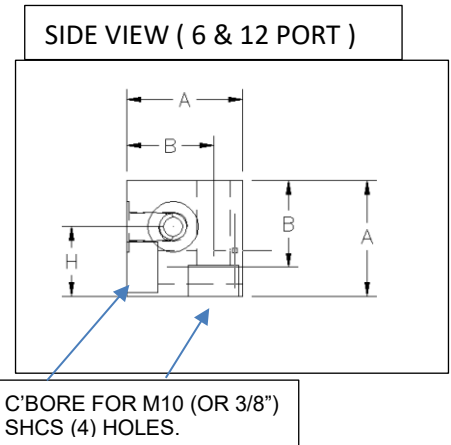
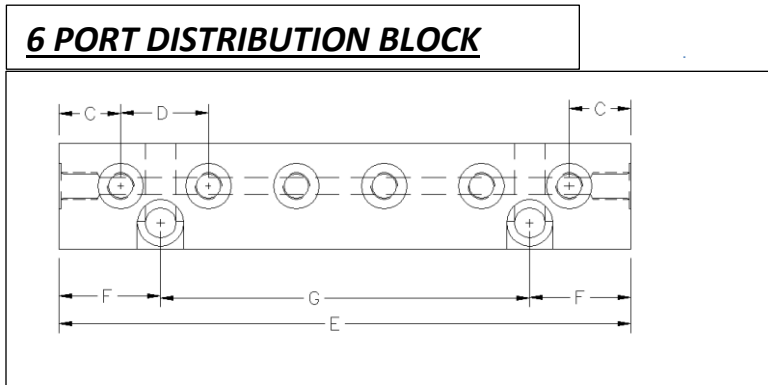
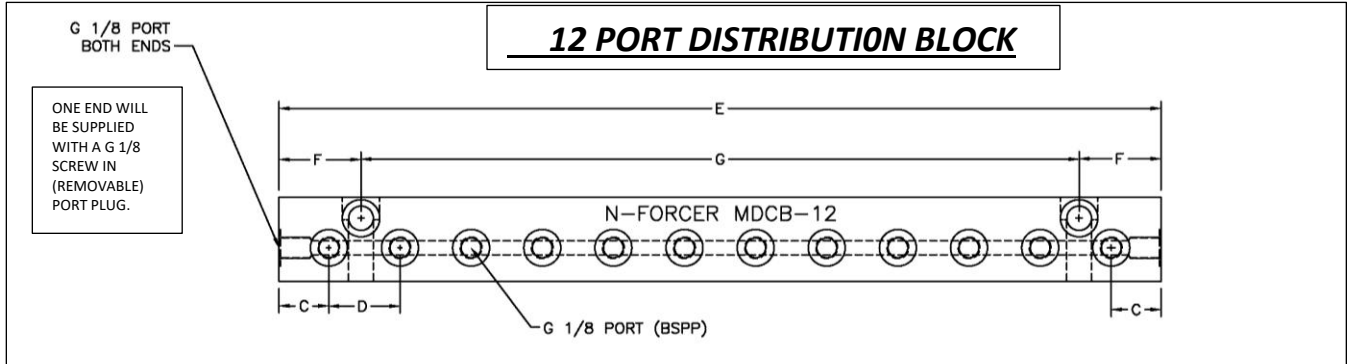
Part No.		A	B	C	D	E	F	G	H
DCB-6	in.	1.50	1.18	.865	1.13	7.38	1.1440	4.50	.90
	mm	38	30	22	29	187	36.5	114	23
DBC-12	in.	1.50	1.18	.850	1.13	14.13	1.440	11.25	.90
	mm	38	30	21.5	29	359	359	286	23



N-FORCER® Distribution Blocks

For Hosed Systems with 1/8 BSPP Ports

Distribution blocks are used with a control panel for multiple hose options



	P/N:	PORT COUNT	UNITS	A	B	C	D	E	F	G	H
GM	M-1630-6	6 PORT	MM	38	29	22	29	187	37	114	25
			IN	1.49	1.14	0.86	1.14	7.36	1.45	4.48	0.98
GM	M-1630-12	12 PORT	MM	38	29	22	29	359	37	286	25
			IN	1.49	1.14	0.86	1.14	14.13	1.45	11.25	0.98
Nforcer Standard	MDCB-6	6 PORT	MM	38	28.6	22.2	31.7	203.2	36.6	130	22.9
			IN	1.49	1.12	0.87	1.24	8	1.44	5.11	0.9
Nforcer Standard	MDCB-12	12 PORT	MM	38	28.6	22.2	31.7	393	36.6	320.5	22.9
			IN	1.49	1.12	0.87	1.24	15.47	1.44	12.61	0.9

MDCB-6 & 12 allow room for 90 degree elbow fittings to be rotated without interference with fitting in the next port.

*NAAMS N520121 fittings maybe ordered separately to adapter the female G1/8 thread to a male 9/16-18 thread for easy hosing.

Made in the USA

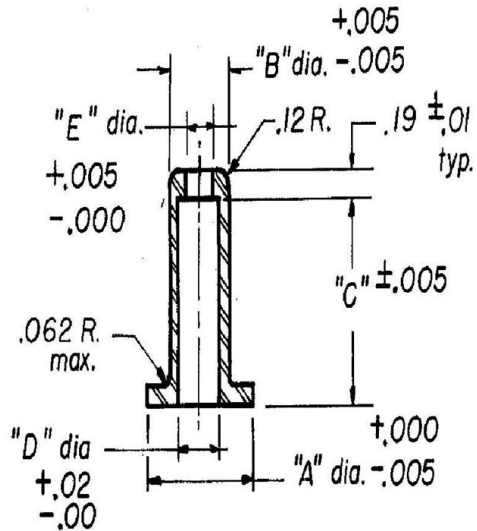
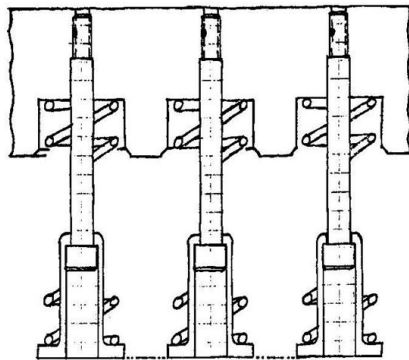


N-FORCER

GAS Springs Since 1986

N-Forcer SPRING RETAINERS

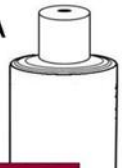
These are CNC machined from bar stock and heavy walled. **Not a thin wall stamping.**



Part No.	A	B	C	D	E	STRIPPER BOLT SIZE	CROSS REF DANLY ITEM #
SR-1	1.25	0.625	1.50	0.442	0.315	5/16	SR125150
SR-2	1.25	0.625	2.00	0.442	0.315	5/16	SR125200
SR-3	1.25	0.625	2.50	0.442	0.315	5/16	SR125250
SR-4	1.50	0.75	1.50	0.566	0.378	3/8	SR150150
SR-5	1.50	0.75	2.00	0.566	0.378	3/8	SR150200
SR-6	1.50	0.75	2.50	0.566	0.378	3/8	SR150250
SR-7	2.00	1.00	1.5	0.754	0.503	1/2	SR200150
SR-8	2.00	1.00	2.00	0.754	0.503	1/2	SR200200
SR-9	2.00	1.00	2.50	0.754	0.503	1/2	SR200250

Force Tester

Made in the USA



N-FORCER

GAS Springs Since 1986



THE QUICK, ACCURATE*, EASY WAY TO CHECK
THE CONDITION OF YOUR
SMALL Jr. SERIES NITROGEN DIE SPRINGS.

Diameter 3/4"(19mm) to 1-1/2" (38.1mm)

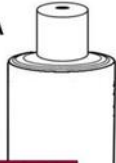
Length 0-15" (380mm) 0-600 psi.

Please be safety conscious when working with nitrogen cylinders. Carefully align charged cylinder when placing in tester.

Can be mounted on table or vertically.

*Accurate to plus or minus 2% in midrange.

Made in the USA

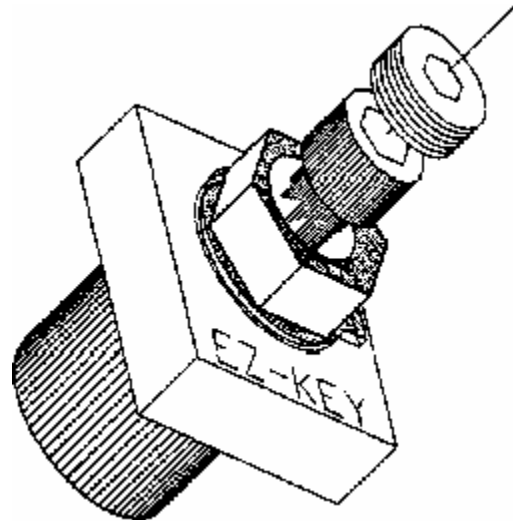
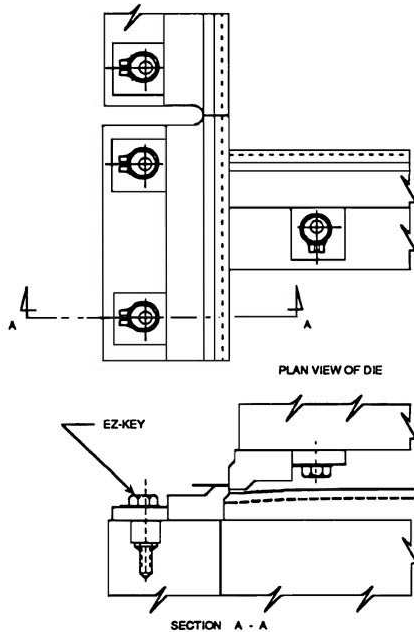


N-FORCER

GAS Springs Since 1986

EZ - KEY

ADJUSTABLE KEY FOR TOOLS - DIE - FIXTURES



How it works - EZ-Key operates on an eccentric cam with a floating pressure plate. Rotation of the hex nut (attached to the cam) shifts the pressure plate providing the necessary key force. The C/L of the bore in the pressure plate is located so that it is variable in relation to each face. This allows for a wide range of adjustment.

ADVANTAGES

EZ-Key is adjustable and designed for easy installation on sections or details needing secure locking forces.

EZ-Key provides adjustability when maintaining or resharpening trim steels or details subject to wear.

EZ-Key eliminates the need for traditional milling of keyway slots and provides instant adjustability once installed.

No more shimming required.

Saves time and costs during maintenance, adjustments, and initial setup.

Safety lock screw securely locks EZ-Key in position.

EZ - KEY

Continued...

Use Example:

Locate Ez-Keys 4-5 inches apart.
Minimum of 2 keys per detail.

The pressure plate of Ez-Key increases by .06 inches on each side.

Rotate the hex screw counterclockwise to adjust face of key to detail. Hold hex in position with wrench while tightening socket head cap screw. After the socket head cap screw is tight, insert lock screw and tighten. Note: Do not over torque the hex nut when adjust the key face.

